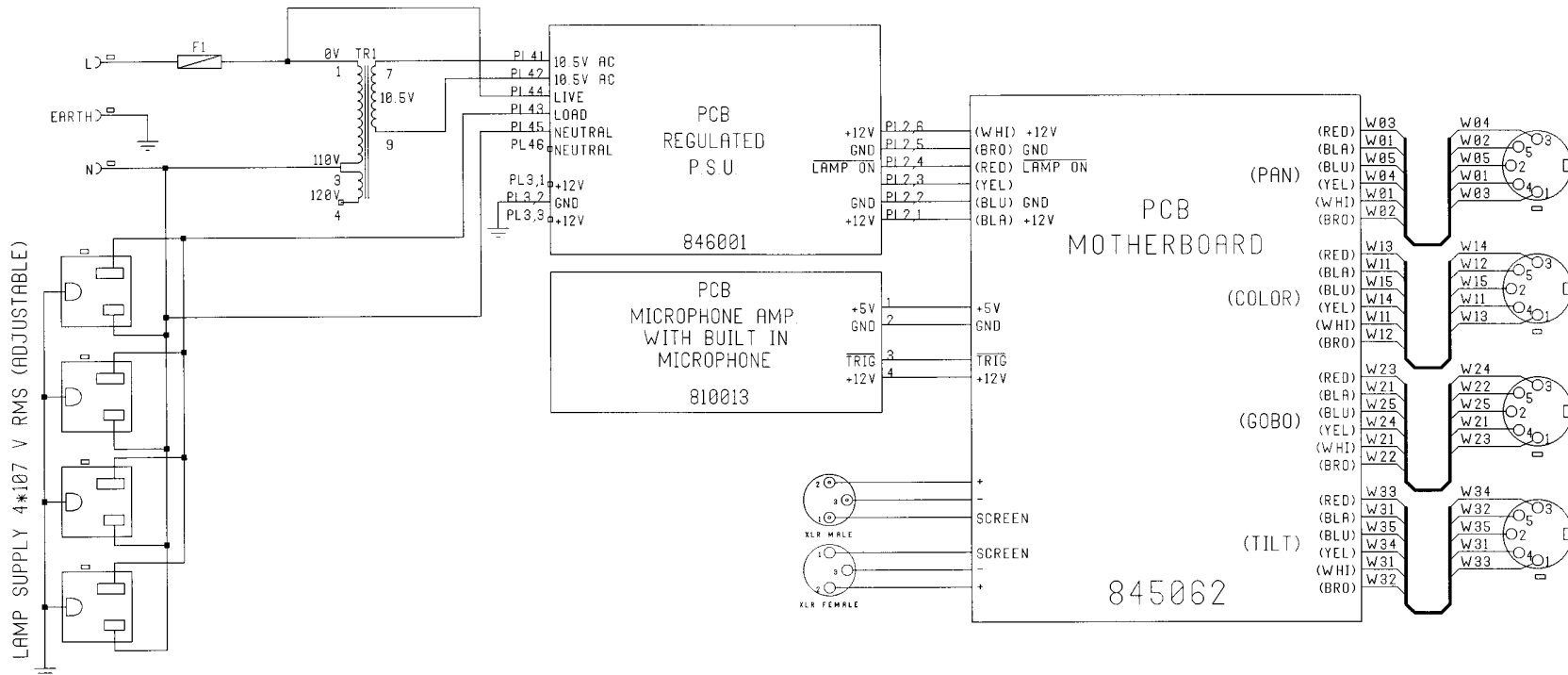
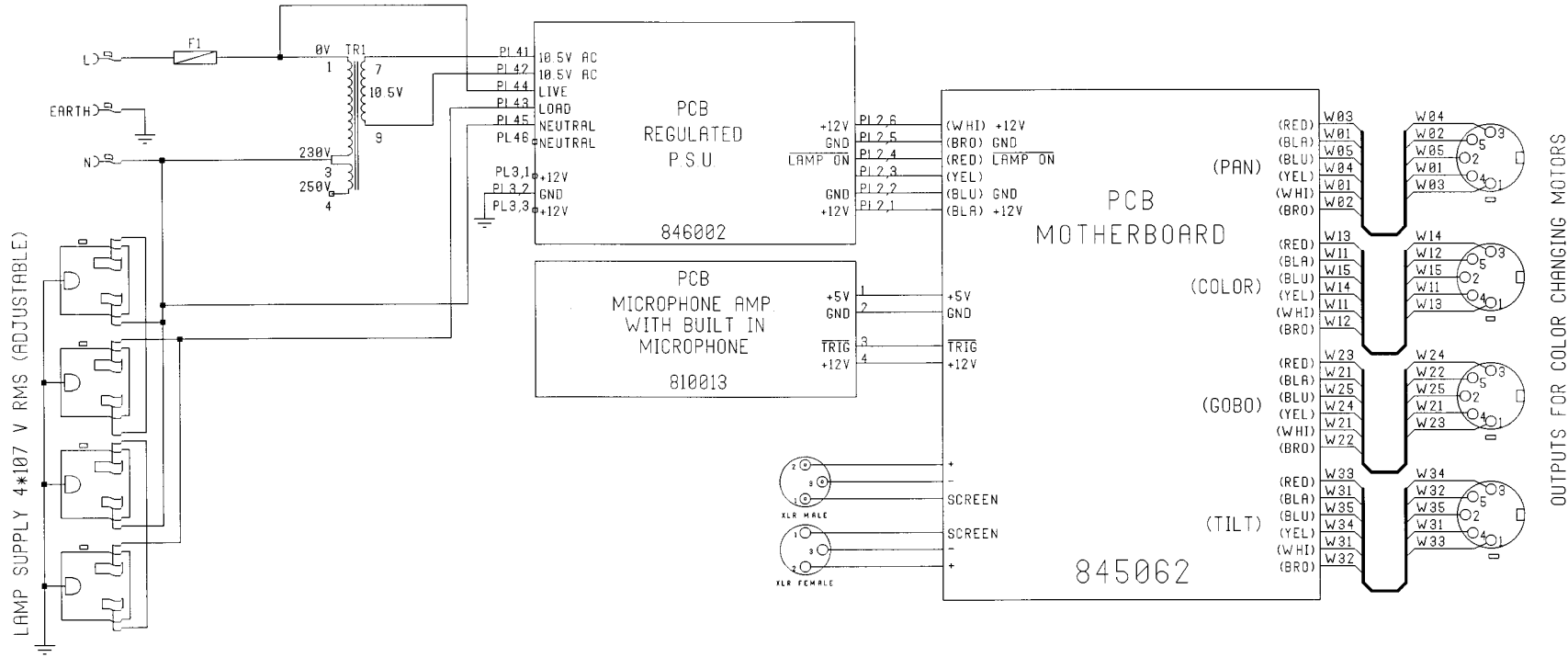


MAINS INLET  
100-120 V AC  
50-60Hz

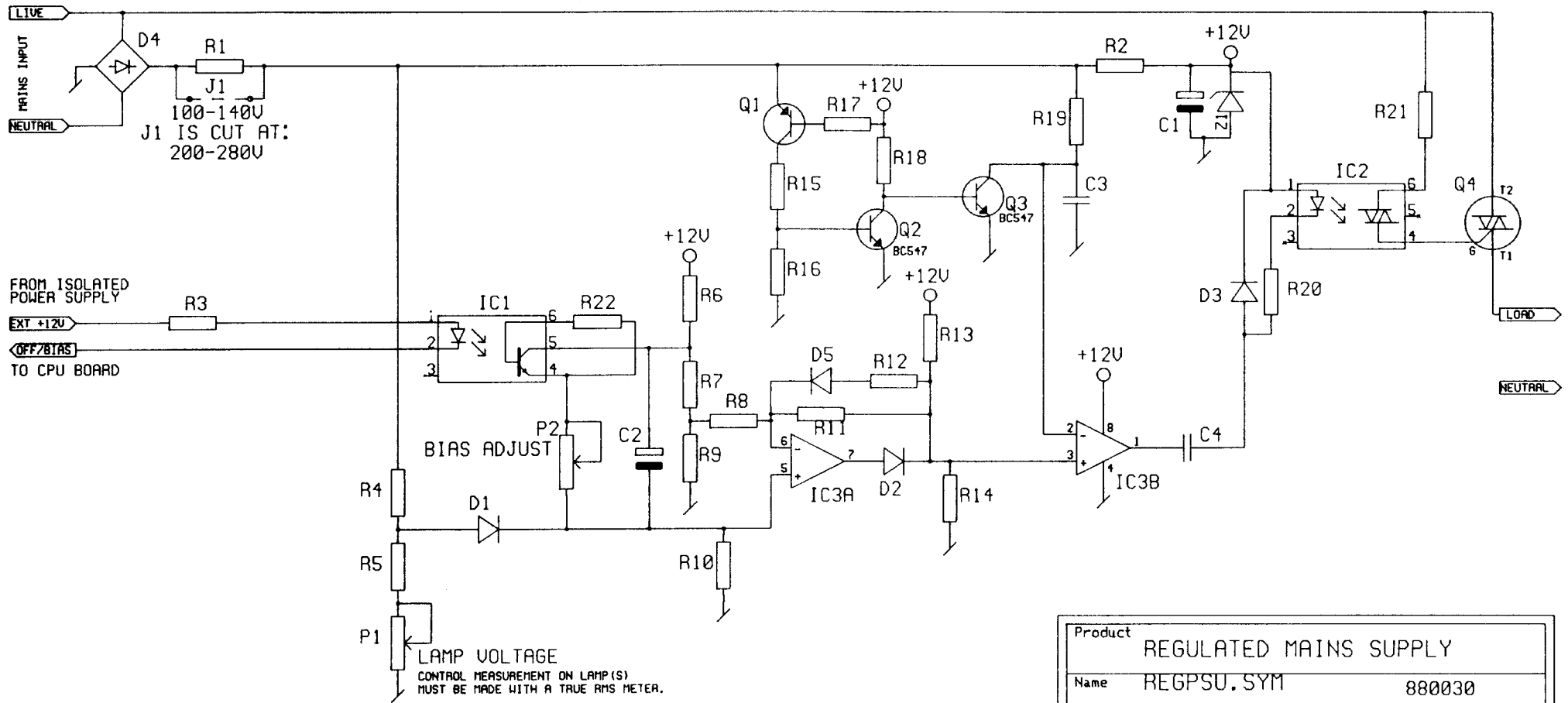


|   |            |      |
|---|------------|------|
| PRODUCT                                 |            |      |
| 915002 ROBOCOLOR CONTROLLER<br>100-120V |            |      |
| NAME                                    |            |      |
| 910002 SCH                              |            |      |
| ENG.                                    |            |      |
| Martin Professional A/S                 |            |      |
| REVISION A                              | PAGE 1     | OF 1 |
| DRAWN BY PS                             |            |      |
| DATE 17/12/93                           | TIME 10 51 |      |

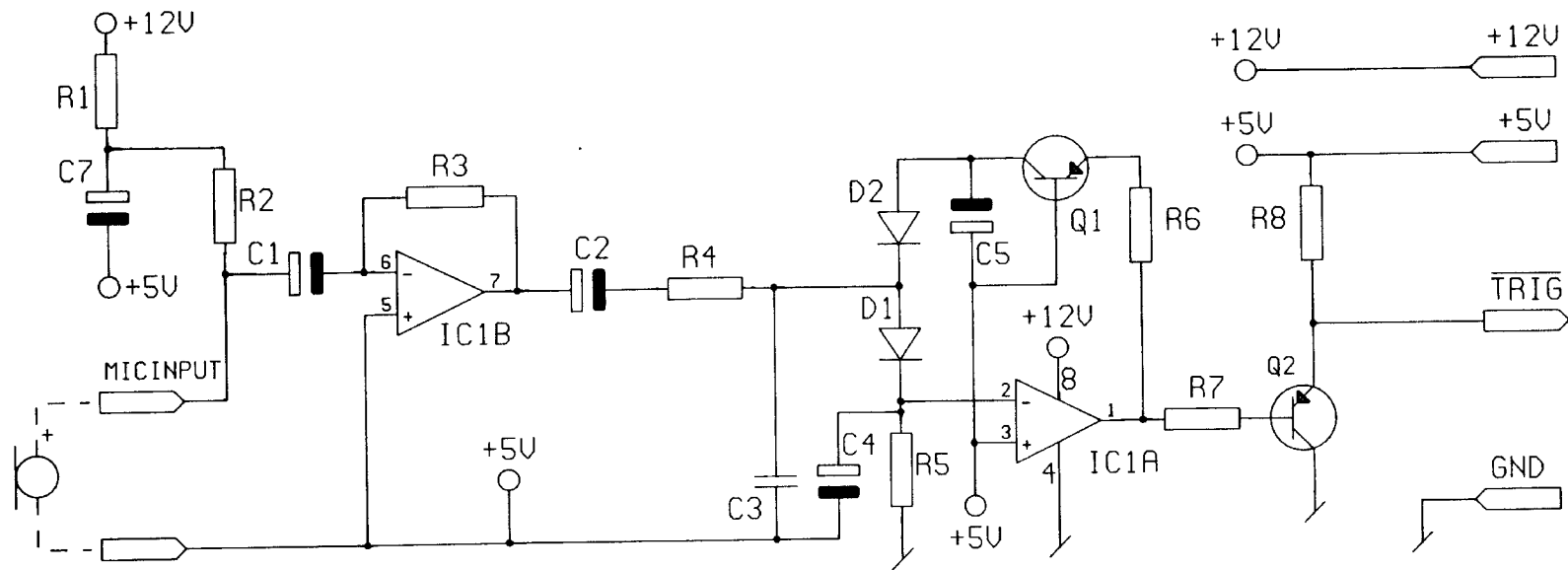
MAINS INLET  
220-240 V AC  
50-60Hz



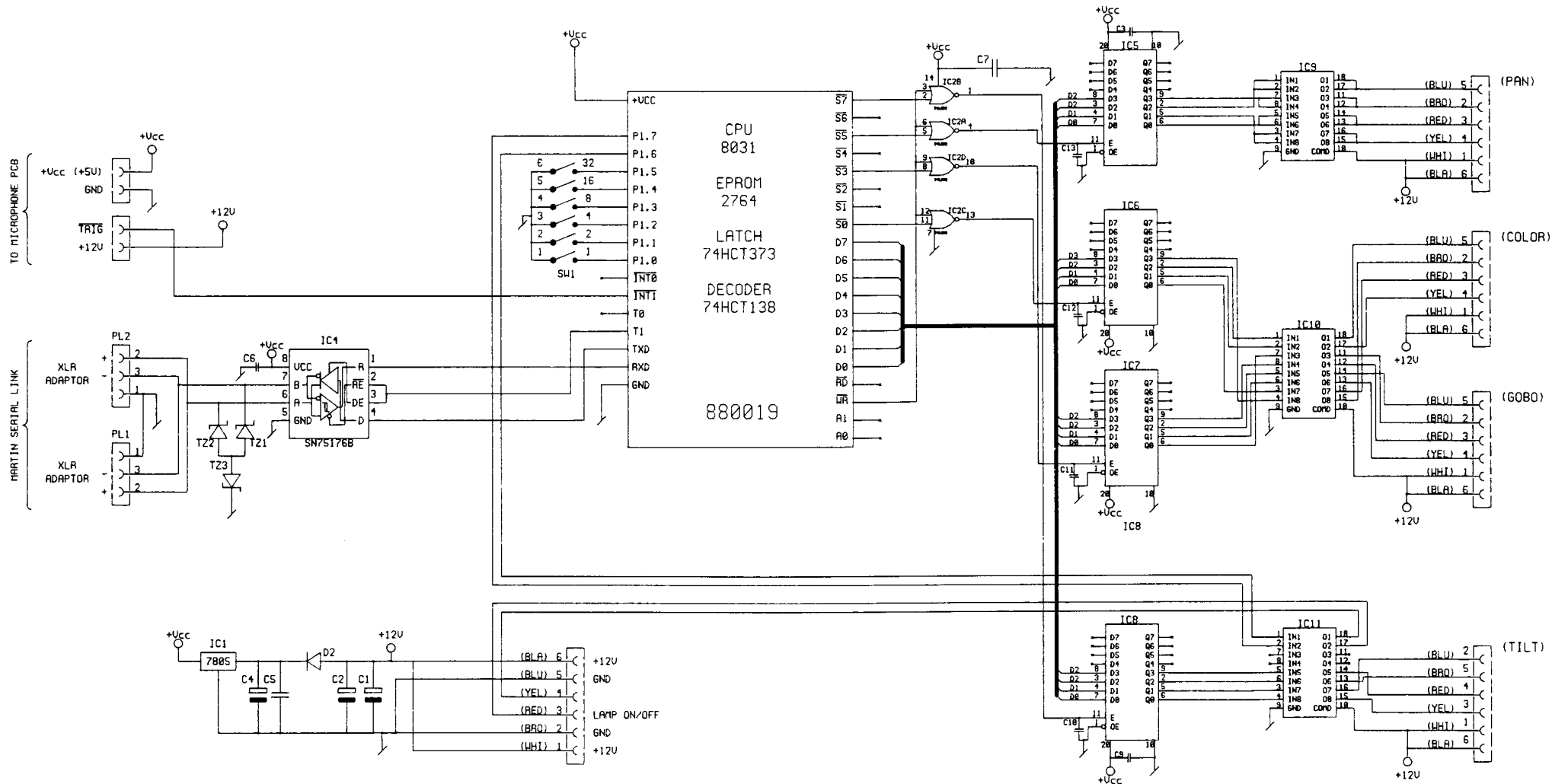
|   |            |      |
|---|------------|------|
| PRODUCT                                 |            |      |
| 915003 ROBOCOLOR CONTROLLER<br>220-240V |            |      |
| NAME                                    |            |      |
| 915003 SCH                              |            |      |
| ENG                                     |            |      |
| Martin Professional A/S                 |            |      |
| REVISION A                              | PAGE 1     | OF 1 |
| DRAWN BY PS                             |            |      |
| DATE 17/12/93                           | TIME 10:51 |      |



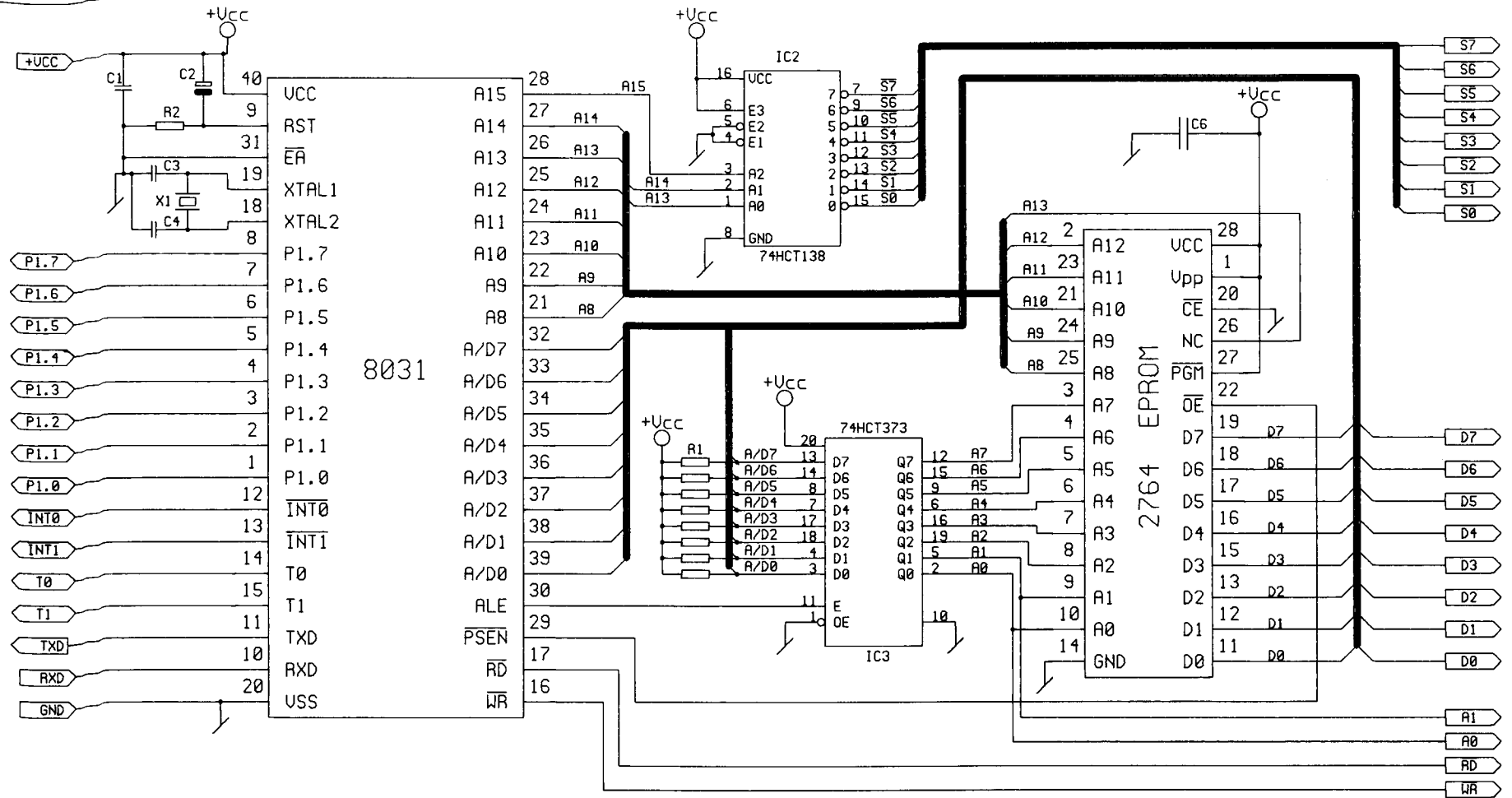
|                        |                     |             |
|------------------------|---------------------|-------------|
| Product                |                     |             |
| REGULATED MAINS SUPPLY |                     |             |
| Name                   | REGPSU.SYM          | 880030      |
| Eng.                   | Martin Professional | sign        |
| Number                 | 92012202            | page 1 of 1 |
| Replacing              | 92011601            | Replaced by |



|   |                     |             |
|---|---------------------|-------------|
| Product   |                     |             |
| MICROPHONE AMPLIFIER<br>with Automatic Gain Control |                     |             |
| Name  | AUTMIC12.SYM        | 880050      |
| Eng.  | Martin Professional | sign        |
| Number  | 91111202            | page of     |
| Replacing   | 91102501            | Replaced by |



|           |                         |        |      |
|-----------|-------------------------|--------|------|
| Product   | 845062, PCB Motherboard |        |      |
| Name      | 845062.SYM              |        |      |
| Eng.      | Martin Professional     | sign   |      |
| Number    | 93082501                | page 1 | of 1 |
| Replacing | Replaced by             |        |      |



|  |             |      |
|--|-------------|------|
| Product 880019, 8031 CPU, EPROM Latch, Decoder |             |      |
| Name 880019.SYM                                |             |      |
| Eng. Martin Professional                       | sign        |      |
| Number 93073001                                | page 1      | of 1 |
| Replacing                                      | Replaced by |      |